

Rotary Joint

# 1000C-T1 Series

Media Type  
**Water + General Purpose**

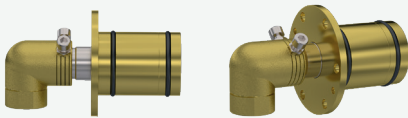
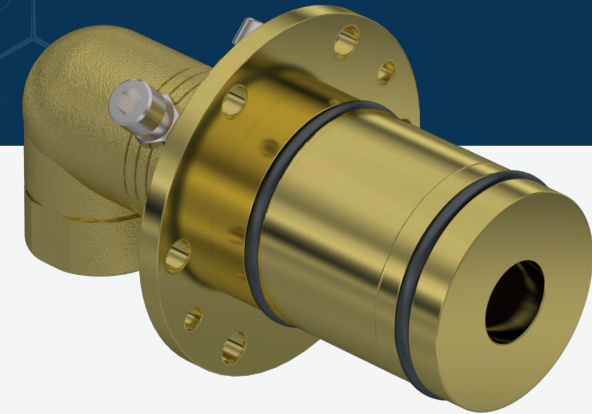
Max. Speed  
**100 RPM**

Max. Pressure  
**10 BAR**

Max. Temperature  
**120 °C**

Connection Type  
**BSP, BSPP, NPT**

Rotor Size  
**1/2" DN15 - 1" DN25**

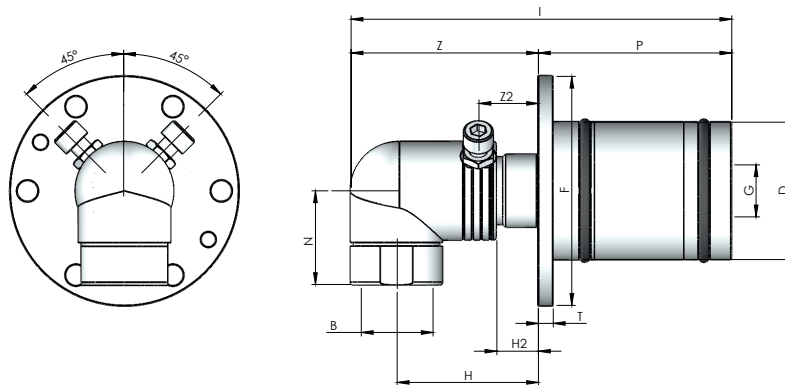


For CCM lines water rotary joints

- ✓ Single or Dual flow
- ✓ In-the-shaft mounted
- ✓ Stainless steel shaft
- ✓ Bronze bearing and teflon+viton o-ring seal kit
- ✓ Forging brass body
- ✓ Easy assembling

**!** Do not operate without fluid.

## DIMENSIONS



SIZE	MODEL NO	B	Z	Z2	P	DØ	I	H	H2	GØ	F	T	N	KG
15	1051-3100-000	1/2" NPT	59	21,25	47	43	111	43,50	10	13,50	77	5	31,50	0,95
15	1052-3100-000	1/2" BSP	59	21,25	47	43	111	43,50	10	13,50	77	5	31,50	0,95
20	1071-3200-000	3/4" NPT	63	20	65	46,20	128	47,50	14	17,50	77	5	31,50	1,15
20	1072-3200-000	3/4" BSP	63	20	65	46,20	128	47,50	14	17,50	77	5	31,50	1,15
25	1101-3500-000	1" NPT	91,5	21	92	71,10	183,50	62,50	14	39	110	5	43	3,40
25	1102-3500-000	1" BSP	91,5	21	92	71,10	183,50	62,50	14	39	110	5	43	3,40