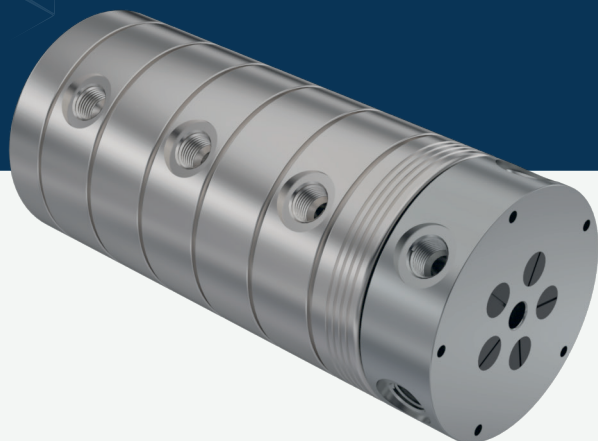


# Multiports M4-S5



Multi-passage rotary unions.

Media Type  
**Hydraulic Oil, Air - Vacuum**

Max. Speed  
**250 RPM**

Max. Pressure  
**250 BAR**

Max. Temperature  
**80 °C**

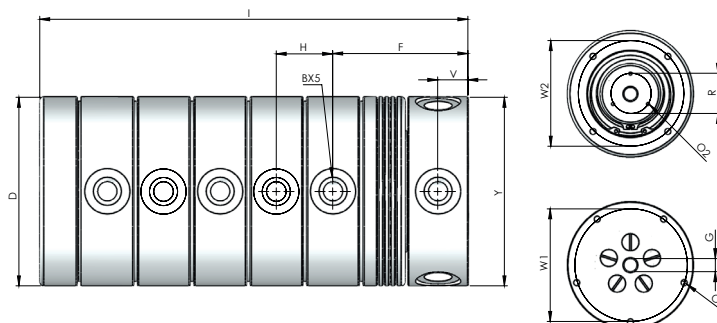
Connection Type  
**NPT, BSPP, BSPT**

Rotor Size  
**2 x 1/4" - 12 x 3/4"**

- ✓ Multi flow design
- ✓ Self supported design
- ✓ Dynamic carbon teflon sealing
- ✓ Special design sealing part for different fluids
- ✓ BSP,NPT metric threads inlet's & outlet's
- ✓ Chrom plated sealing surface
- ✓ Stainless Steel body
- ✓ Custom connections types are available

**!** Do not operate without fluid.

## DIMENSIONS



SIZE	MODEL NO	B	YØ	B2	DØ	F	H	I	V	GØ	W1Ø	W2Ø	RØ	O1	O2	KG
5 X 1/4"	M4-25081-200	1/4" NPT	75	1/4" NPT	75	56,20	23,40	181,25	10	7	70	61	18	M6X20	M3X10	5,40
5 X 1/4"	M4-25082-200	1/4" BSP	75	1/4" BSP	75	56,20	23,40	181,25	10	7	70	61	18	M6X20	M3X10	5,40
5 X 1/4"	M4-25083-200	1/4" BSPP	75	1/4" BSPP	75	56,20	23,40	181,25	10	7	70	61	18	M6X20	M3X10	5,40
5 x 3/8"	M4-25101-200	3/8" NPT	110	3/8" NPT	110	72,70	30	235,55	15	10	100	95	35	M6X20	M3X10	15,75
5 x 3/8"	M4-25102-200	3/8" BSP	110	3/8" BSP	110	72,70	30	235,55	15	10	100	95	35	M6X20	M3X10	15,75
5 x 3/8"	M4-25103-200	3/8" BSPP	110	3/8" BSPP	110	72,70	30	235,55	15	10	100	95	35	M6X20	M3X10	15,75
5 X 1/2"	M4-25151-200	1/2" NPT	125	1/2" NPT	125	89,65	37,40	283,90	20	13	112	105	40	M6X20	M3X10	24,15
5 X 1/2"	M4-25152-200	1/2" BSP	125	1/2" BSP	125	89,65	37,40	283,90	20	13	112	105	40	M6X20	M3X10	24,15
5 X 1/2"	M4-25153-200	1/2" BSPP	125	1/2" BSPP	125	89,65	37,40	283,90	20	13	112	105	40	M6X20	M3X10	24,15