

Multiports M4-S3

Media Type
Hydraulic Oil, Air - Vacuum

Max. Speed
250 RPM

Max. Pressure
250 BAR

Max. Temperature
80 °C

Connection Type
NPT, BSPP, BSPT

Rotor Size
2 x 1/4" - 12 x 3/4"

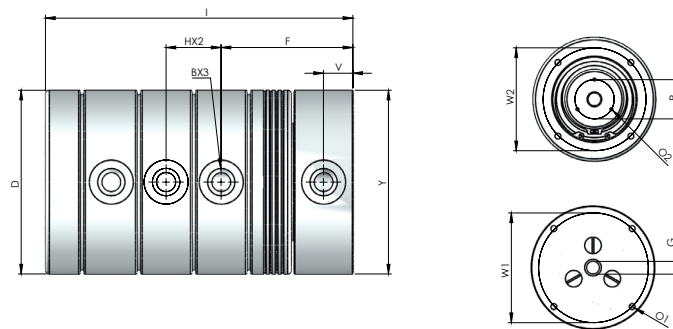


Multi-passage rotary unions.

- ✓ Multi flow design
- ✓ Self supported design
- ✓ Dynamic carbon teflon sealing
- ✓ Special design sealing part for different fluids
- ✓ BSP,NPT metric threads inlet's & outlet's
- ✓ Chrom plated sealing surface
- ✓ Stainless Steel body
- ✓ Custom connections types are available

! Do not operate without fluid.

DIMENSIONS



SIZE	MODEL NO	B	YØ	B2	DØ	F	H	I	V	GØ	W1Ø	W2Ø	RØ	O1	O2	KG
3 X 1/4"	M4-23081-200	1/4" NPT	75	1/4" NPT	75	56,20	23,40	134,45	10	7	70	61	18	M6X20	M3X10	3,90
3 X 1/4"	M4-23082-200	1/4" BSP	75	1/4" BSP	75	56,20	23,40	134,45	10	7	70	61	18	M6X20	M3X10	3,90
3 X 1/4"	M4-23083-200	1/4" BSPP	75	1/4" BSPP	75	56,20	23,40	134,45	10	7	70	61	18	M6X20	M3X10	3,90
3 X 3/8"	M4-23101-200	3/8" NPT	90	3/8" NPT	90	72,70	30	143	15	10	70	80	25	M6X20	M3X10	7,55
3 X 3/8"	M4-23102-200	3/8" BSP	90	3/8" BSP	90	72,70	30	143	15	10	70	80	25	M6X20	M3X10	7,55
3 X 3/8"	M4-23103-200	3/8" BSPP	90	3/8" BSPP	90	72,70	30	143	15	10	70	80	25	M6X20	M3X10	7,55
3 X 1/2"	M4-23151-200	1/2" NPT	125	1/2" NPT	125	89,65	37,40	209,10	20	13	112	105	40	M6X20	M3X10	18,05
3 X 1/2"	M4-23152-200	1/2" BSP	125	1/2" BSP	125	89,65	37,40	209,10	20	13	112	105	40	M6X20	M3X10	18,05
3 X 1/2"	M4-23153-200	1/2" BSPP	125	1/2" BSPP	125	89,65	37,40	209,10	20	13	112	105	40	M6X20	M3X10	18,05
3 X 3/4"	M4-23201-200	3/4" NPT	135	3/4" NPT	135	95,35	43,40	229,80	20	18	115	115	45	M8X20	M4X10	22,30
3 X 3/4"	M4-23202-200	3/4" BSP	135	3/4" BSP	135	95,35	43,40	229,80	20	18	115	115	45	M8X20	M4X10	22,30
3 X 3/4"	M4-23203-200	3/4" BSPP	135	3/4" BSPP	135	95,35	43,40	229,80	20	18	115	115	45	M8X20	M4X10	22,30

3 X 1"	M4-23251-200	1" NPT	150	1" NPT	150	109,35	50,40	264,50	25	22	130	132	55	M10X50	M10X20	30,65
3 X 1"	M4-23252-200	1" BSP	150	1" BSP	150	109,35	50,40	264,50	25	22	130	132	55	M10X50	M10X20	30,65
3 X 1"	M4-23253-200	1" BSPP	150	1" BSPP	150	109,35	50,40	264,50	25	22	130	132	55	M10X50	M10X20	30,65