

Rotary Joint

4000HO-T1 Serisi

🚰 Akışkan Tipi
Kızgın Yağ

🕒 Maks. Hız
400 RPM

🌀 Maks. Baskınç
7 BAR

🌡️ Maks. Sıcaklık
280 °C

🔌 Bağlantı Tipi

BSP, BSPT, NPT, FL, Metrik 2" DN50 - 2 1/2" DN65

🌀 Rotor Ölçüsü

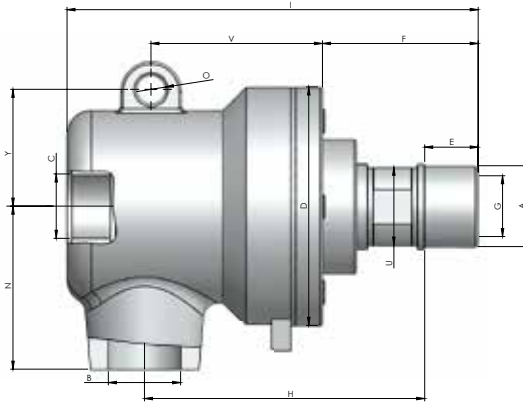


Kızgın Yağ için döner sızdırmazlık başlığı (Maks. 280°C)

- ✓ Tek hat geçişli
- ✓ İç destekli sızdırmazlık ve yataklama
- ✓ Paslanmaz çelik şaft ve iç aksam
- ✓ Sfero döküm yüksek kalite gövde
- ✓ Karbon grafit (Reçineli, Antimuanlı) konik sızdırmazlıklar
- ✓ Geniş ölçü, bağlantı ve diş tipi olanağı

⚠️ Akışkan olmadan çalıştırmayın.

ÖLÇÜLER



BOYUT	B	MODEL NO	A	C	DØ	I	E	F	GØ	N	Y	H	U	V	OØ	LØ	S	T	KG
15	1/2" NPT	4050-111-106-HO	1/2" NPT - RH	3/8" NPT	92	147	20	60	15	53,50	42	101	22	58	12				2,40
15	1/2" NPT	4050-111-107-HO	1/2" NPT - LH	3/8" NPT	92	147	20	60	15	53,50	42	101	22	58	12				2,40
15	1/2" NPT	4050-111-100-HO	Ø24	3/8" NPT	92	147		60	15	53,50	42	104		58	12	22	6	11	2,40
15	1/2" BSP	4050-211-206-HO	1/2" BSP - RH	3/8" BSP	92	147	20	60	15	53,50	42	101	22	58	12				2,40
15	1/2" BSP	4050-211-207-HO	1/2" BSP - LH	3/8" BSP	92	147	20	60	15	53,50	42	101	22	58	12				2,40
15	1/2" BSP	4050-211-100-HO	Ø24	3/8" BSP	92	147		60	15	53,50	42	104		58	12	22	6	11	2,40
20	3/4" NPT	4075-111-108-HO	3/4" NPT - RH	1/2" NPT	92	156	20	60	18	60	44,50	105,50	27	66,50	12				2,95
20	3/4" NPT	4075-111-109-HO	3/4" NPT - LH	1/2" NPT	92	156	20	60	18	60	44,50	105,50	27	66,50	12				2,95
20	3/4" NPT	4075-111-100-HO	Ø30	1/2" NPT	92	156		60	18	60	44,50	105,50		66,50	12	28	8	13	2,95
20	3/4" BSP	4075-211-208-HO	3/4" BSP - RH	1/2" BSP	92	156	20	60	18	60	44,50	105,50	27	66,50	12				2,95
20	3/4" BSP	4075-211-209-HO	3/4" BSP - LH	1/2" BSP	92	156	20	60	18	60	44,50	105,50	27	66,50	12				2,95
20	3/4" BSP	4075-211-100-HO	Ø30	1/2" BSP	92	156		60	18	60	44,50	105,50		66,50	12	28	8	13	2,95

25	1" NPT	4100-111-110-HO	1" NPT - RH	3/4" NPT	98	169	22	64	25	67	48	115	32	70,50	12				3,65
25	1" NPT	4100-111-111-HO	1" NPT - LH	3/4" NPT	98	169	22	64	25	67	48	115	32	70,50	12				3,65
25	1" NPT	4100-111-100-HO	Ø35	3/4" NPT	98	169		64	25	67	48	116		70,50	12	33	8	13	3,65
25	1" BSP	4100-211-210-HO	1" BSP - RH	3/4" BSP	98	169	22	64	25	67	48	115	32	70,50	12				3,65
25	1" BSP	4100-211-211-HO	1" BSP - LH	3/4" BSP	98	169	22	64	25	67	48	115	32	70,50	12				3,65
25	1" BSP	4100-211-100-HO	Ø35	3/4" BSP	98	169		64	25	67	48	116		70,50	12	33	8	13	3,65
32	1 1/4" NPT	4125-111-112-HO	1 1/4" NPT - RH	1" NPT	110	192	25	73	32	76	59	129,50	41	80	15				5,25
32	1 1/4" NPT	4125-111-113-HO	1 1/4" NPT - LH	1" NPT	110	192	25	73	32	76	59	129,50	41	80	15				5,25
32	1 1/4" NPT	4125-111-100-HO	Ø45	1" NPT	110	192		73	32	76	59	133,50		80	15	43	8	13	5,25
32	1 1/4" BSP	4125-211-212-HO	1 1/4" BSP - RH	1" BSP	110	192	25	73	32	76	59	129,50	41	80	15				5,25
32	1 1/4" BSP	4125-211-213-HO	1 1/4" BSP - LH	1" BSP	110	192	25	73	32	76	59	129,50	41	80	15				5,25
32	1 1/4" BSP	4125-211-100-HO	Ø45	1" BSP	110	192		73	32	76	59	133,50		80	15	43	8	13	5,25
40	1 1/2" NPT	4150-111-114-HO	1 1/2" NPT - RH	1 1/4" NPT	138	210	27	72	38	89	73	142	50	93	15				8,75
40	1 1/2" NPT	4150-111-115-HO	1 1/2" NPT - LH	1 1/4" NPT	138	210	27	72	38	89	73	142	50	93	15				8,75
40	1 1/2" NPT	4150-111-100-HO	Ø50	1 1/4" NPT	138	210		72	38	89	73	143		93	15	48	10	16	8,75
40	1 1/2" BSP	4150-210-214-HO	1 1/2" BSP - RH	1 1/4" BSP	138	210	27	72	38	89	73	142	50	93	15				8,75
40	1 1/2" BSP	4150-211-215-HO	1 1/2" BSP - LH	1 1/4" BSP	138	210	27	72	38	89	73	142	50	93	15				8,75
40	1 1/2" BSP	4150-211-100-HO	Ø50	1 1/4" BSP	138	210		72	38	89	73	143		93	15	48	10	16	8,75
50	2" NPT	4200-111-116-HO	2" NPT - RH	1 1/2" NPT	158	242	30	81	49	102	79	159	60	112	16				14
50	2" NPT	4200-111-117-HO	2" NPT - LH	1 1/2" NPT	158	242	30	81	49	102	79	159	60	112	16				14
50	2" NPT	4200-111-100-HO	Ø65	1 1/2" NPT	158	242		81	49	102	79	162,50		112	16	63	10	16	14
50	2" BSP	4200-211-216-HO	2" BSP - RH	1 1/2" BSP	158	242	30	81	49	102	79	159	60	112	16				14
50	2" BSP	4200-211-217-HO	2" BSP - LH	1 1/2" BSP	158	242	30	81	49	102	79	159	60	112	16				14
50	2" BSP	4200-211-100-HO	Ø65	1 1/2" BSP	158	242		81	49	102	79	162,50		112	16	63	10	16	14