

Multiports M2-S3

Media Type
Hydraulic Oil, Air - Vacuum

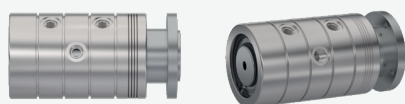
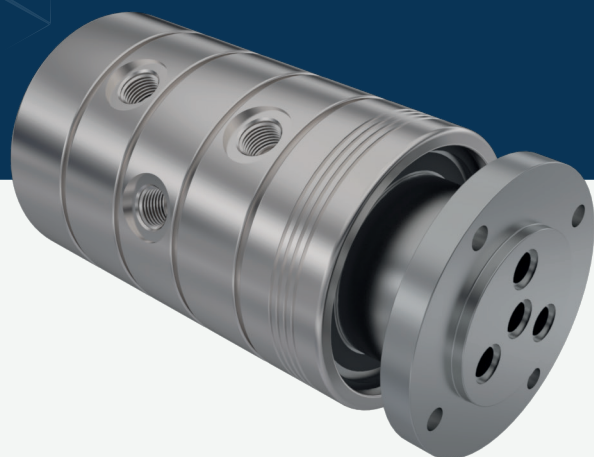
Max. Speed
250 RPM

Max. Pressure
250 BAR

Max. Temperature
80 °C

Connection Type
NPT, BSPP, BSPT

Rotor Size
2 x 1/4" - 12 x 3/4"

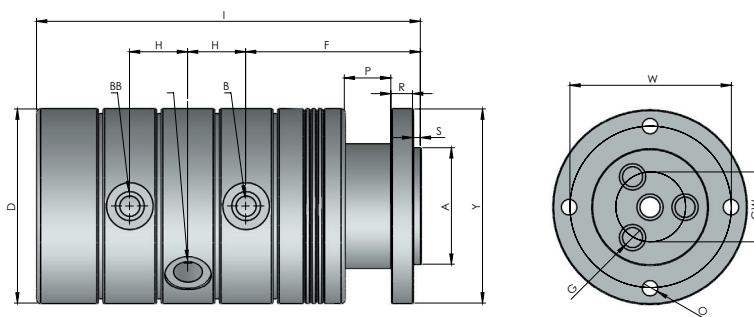


Multi-passage rotary unions.

- ✓ Multi flow design
- ✓ Self supported sealing
- ✓ Dynamic carbon teflon sealing
- ✓ Special design sealing part for different fluids
- ✓ Flanged shaft
- ✓ Chrom plated sealing surface
- ✓ Stainless steel body
- ✓ For low-quality fluids
- ✓ Custom connections types are available

! Do not operate without fluid.

DIMENSIONS



SIZE	MODEL NO	B	Y Ø	A Ø	G Ø	D Ø	F	H	I	S	P	R	W	GW	O	KG
3 X 1/4"	M2-23081-200	1/4" NPT	81	45	7	80	71	23,40	161	3	20	7	70	20	6,50	5,05
3 X 1/4"	M2-23082-200	1/4" BSP	81	45	7	80	71	23,40	161	3	20	7	70	20	6,50	5,05
3 X 1/4"	M2-23083-200	1/4" BSPP	81	45	7	80	71	23,40	161	3	20	7	70	20	6,50	5,05
3 x 3/8"	M2-23101-200	3/8" NPT	80	45	10	80	75,15	30	184,30	3	20	7	68	18	6,50	5,80
3 x 3/8"	M2-23102-200	3/8" BSP	80	45	10	80	75,15	30	184,30	3	20	7	68	18	6,50	5,80
3 x 3/8"	M2-23103-200	3/8" BSPP	80	45	10	80	75,15	30	184,30	3	20	7	68	18	6,50	5,80
3 X 1/2"	M2-23151-200	1/2" NPT	125	75	13	125	112,50	37,40	247	5	30	14	104	45	10	19,15
3 X 1/2"	M2-23152-200	1/2" BSP	125	75	13	125	112,50	37,40	247	5	30	14	104	45	10	19,15
3 X 1/2"	M2-23153-200	1/2" BSPP	125	75	13	125	112,50	37,40	247	5	30	14	104	45	10	19,15
3 X 3/4"	M2-23201-200	3/4" NPT	135	85	18	135	117,50	43,40	267,20	5	35	12	110	46	11	23,80
3 X 3/4"	M2-23202-200	3/4" BSP	135	85	18	135	117,50	43,40	267,20	5	35	12	110	46	11	23,80
3 X 3/4"	M2-23203-200	3/4" BSPP	135	85	18	135	117,50	43,40	267,20	5	35	12	110	46	11	23,80
3 X 1"	M2-13251-200	1" NPT	164	100	22	164	152,50	50,40	326	7	55	16	138	55	13,50	39

3 X 1"	M2-13252-200	1" BSP	164	100	22	164	152,50	50,40	326	7	55	16	138	55	13,50	39
3 X 1"	M2-13253-200	1" BSPP	164	100	22	164	152,50	50,40	326	7	55	16	138	55	13,50	39
3 X 1 1/4"	M2-23321-200	1 1/4" NPT	230	150	28	230	167,10	65	382,40	7	55	20	180	85	13,50	103,40
3 X 1 1/4"	M2-23322-200	1 1/4" BSP	230	150	28	230	167,10	65	382,40	7	55	20	180	85	13,50	103,40
3 X 1 1/4"	M2-23323-200	1 1/4" BSPP	230	150	28	230	167,10	65	382,40	7	55	20	180	85	13,50	103,40