

# Multiports M2-S2

Media Type  
**Hydraulic Oil, Air - Vacuum**

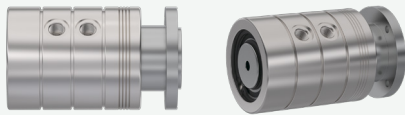
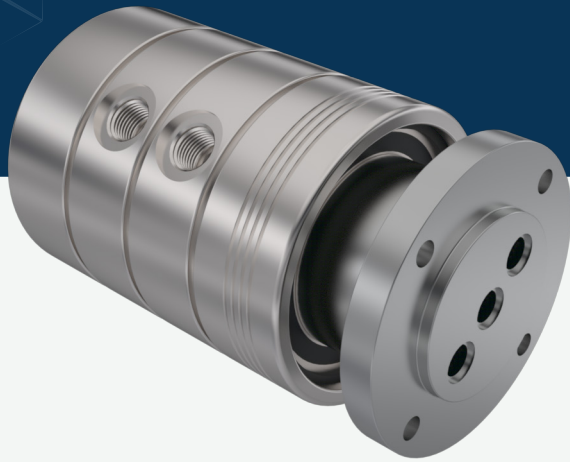
Max. Speed  
**250 RPM**

Max. Pressure  
**250 BAR**

Max. Temperature  
**80 °C**

Connection Type  
**NPT, BSPP, BSPT**

Rotor Size  
**2 x 1/4" - 12 x 3/4"**

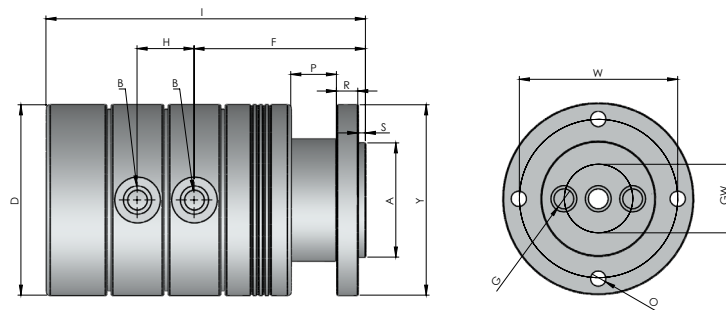


Multi-passage rotary unions.

- ✓ Multi flow design
- ✓ Self supported sealing
- ✓ Dynamic carbon teflon sealing
- ✓ Special design sealing part for different fluids
- ✓ Flanged shaft
- ✓ Chrom plated sealing surface
- ✓ Stainless steel body
- ✓ For low-quality fluids
- ✓ Custom connections types are available

**!** Do not operate without fluid.

## DIMENSIONS



SIZE	MODEL NO	B	Y Ø	A Ø	G Ø	D Ø	F	H	I	S	P	R	W	GW	O	KG
2 x 1/4"	M2-22081-200	1/4" NPT	81	45	7	80	71	23.40	135.50	3	20	7	70	20	6,50	4,15
2 x 1/4"	M2-22082-200	1/4" BSP	81	45	7	80	71	23.40	135.50	3	20	7	70	20	6,50	4,15
2 x 1/4"	M2-22083-200	1/4" BSPP	81	45	7	80	71	23.40	135.50	3	20	7	70	20	6,50	4,15
2 X 3/8"	M2-22101-200	3/8" NPT	80	45	10	80	85	30	154,30	3	20	7	68	18	6,50	4,75
2 X 3/8"	M2-22102-200	3/8" BSP	80	45	10	80	85	30	154,30	3	20	7	68	18	6,50	4,75
2 X 3/8"	M2-22103-200	3/8" BSPP	80	45	10	80	85	30	154,30	3	20	7	68	18	6,50	4,75
2 X 1/2"	M2-22151-200	1/2" NPT	125	75	13	125	112,50	37,40	210	5	30	14	104	45	10	16
2 X 1/2"	M2-22152-200	1/2" BSP	125	75	13	125	112,50	37,40	210	5	30	14	104	45	10	16
2 X 1/2"	M2-22153-200	1/2" BSPP	125	75	13	125	112,50	37,40	210	5	30	14	104	45	10	16
2 X 3/4"	M2-22201-200	3/4" NPT	135	85	18	135	117,50	43,40	223,80	5	35	12	110	46	11	19,75
2 X 3/4"	M2-22202-200	3/4" BSP	135	85	18	135	117,50	43,40	223,80	5	35	12	110	46	11	19,75

2 X 3/4"	M2-22203-200	3/4" BSPP	135	85	18	135	117,50	43,40	223,80	5	35	12	110	46	11	19,75
2 X 1"	M2-22251-200	1" NPT	164	100	22	164	152,50	50,40	275,50	7	55	16	138	55	13,50	33
2 X 1"	M2-22252-200	1" BSP	164	100	22	164	152,50	50,40	275,50	7	55	16	138	55	13,50	33
2 X 1"	M2-22253-200	1" BSPP	164	100	22	164	152,50	50,40	275,50	7	55	16	138	55	13,50	33
2 X 1 1/4"	M2-22321-200	1 1/4" NPT	230	150	28	230	167,10	65	317	7	55	20	180	85	13,50	85,50
2 X 1 1/4"	M2-22322-200	1 1/4" BSP	230	150	28	230	167,10	65	317	7	55	20	180	85	13,50	85,50
2 X 1 1/4"	M2-22323-200	1 1/4" BSPP	230	150	28	230	167,10	65	317	7	55	20	180	85	13,50	85,50