

Rotary Joint

9000R-T3 Serisi

🚰 Akışkan Tipi
Buhar

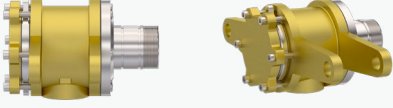
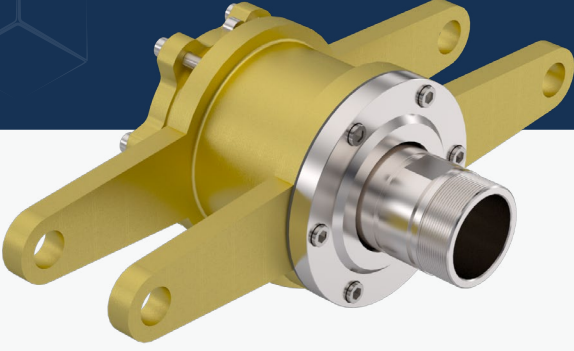
🌀 Maks. Hız
200 - 100 RPM

📏 Maks. Basınç
30 - 20 BAR

🌡️ Maks. Sıcaklık
260 - 280 °C

🔌 Bağlantı Tipi
BSPT, SSR, FL,

🌀 Rotor Ölçüsü
3/4" DN20 - 5" DN125

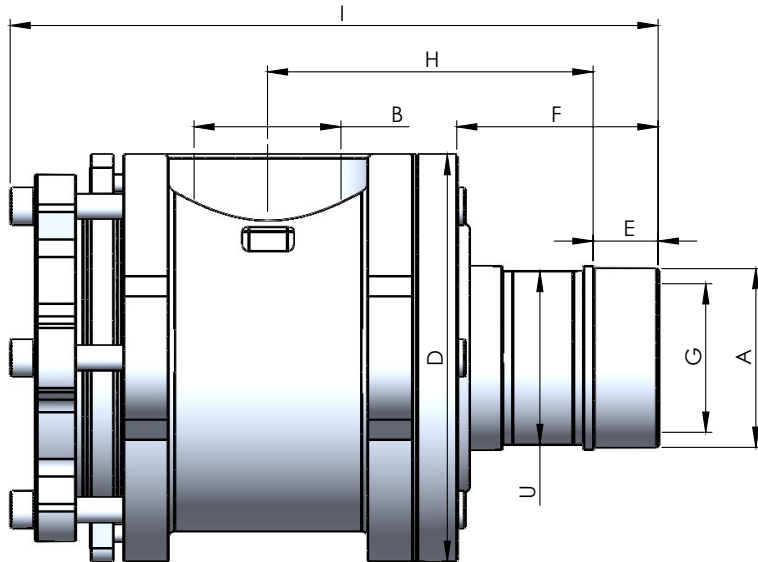


Buhar için sızdırmazlık başlığı

- ✓ Tek hat geçiqli
- ✓ İç destekli sızdırmazlık ve yataklama
- ✓ Paslanmaz çelik şaft ve iç aksam
- ✓ Sfero döküm yüksek kalite gövde
- ✓ Karbon grafit (Reçineli, Antimuanlı) konik sızdırmazlıklar
- ✓ Geniş ölçü, bağlantı ve diş tipi olanağı

⚠️ Akışkan olmadan çalıştırmayın.

ÖLÇÜLER



BOYUT	B	MODEL NO	A	C	DØ	I	E	F	K	KI	GØ	H	H2	W	N	OØ	U	L	S	T	KG
20	3/4" NPT	R9075-3107-0000-108	3/4" NPT - RH		87	150,50	20	45			18	67		108		13	32				2,81
20	3/4" NPT	R9075-3107-0000-109	3/4" NPT - LH		87	150,50	20	45			18	67		108		13	32				2,81
20	3/4" NPT	R9075-3107-0000-70	Ø30		87	150,50		45			18	67		108		13		28	8	13	2,81
20	3/4" BSP	R9075-3207-0000-208	3/4" BSP - RH		87	150,50	20	45			18	67		108		13	32				2,81
20	3/4" BSP	R9075-3207-0000-209	3/4" BSP - LH		87	150,50	20	45			18	67		108		13	32				2,81
20	3/4" BSP	R9075-3207-0000-70	Ø30		87	150,50		45			18	67		108		13		28	8	13	2,81
25	3/4" NPT	R9100-3107-0000-110	1" NPT - RH		108	178	22	79			25	101,50		108 - 248		13	32				5,10
25	3/4" NPT	R9100-3107-0000-111	1" NPT - LH		108	178	22	79			25	101,50		108 - 248		13	32				5,10
25	3/4" NPT	R9100-3107-0000-70	Ø35		108	178		79			25	102,50		108 - 248		13		33	8	13	5,10
25	3/4" BSP	R9100-3207-0000-113	1" BSP - RH		108	178	22	79			25	101,50		108 - 248		13	32				5,10
25	3/4" BSP	R9100-3207-0000-114	1" BSP - LH		108	178	22	79			25	101,50		108 - 248		13	32				5,10
25	3/4" BSP	R9100-3207-0000-115	Ø35		108	178		79			25	102,50		108 - 248		13		33	8	13	5,10
32	1" NPT	R9120-3110-0000-112	1 1/4" NPT - RH		116	175	25	65			32	88,50		164 - 276		13	41				6
32	1" NPT	R9120-3110-0000-113	1 1/4" NPT - LH		116	175	25	65			32	88,50		165 - 276		13	41				6
32	1" NPT	R9120-3110-0000-70	Ø47,50		116	175		65			32	88,50		166 - 276		13		45	13	23	6
32	1" BSP	R9120-3210-0000-112	1 1/4" BSP - RH		116	175	25	65			32	88,50		167 - 276		13	41				6
32	1" BSP	R9120-3210-0000-113	1 1/4" BSP - LH		116	175	25	65			32	88,50		168 - 276		13	41				6
32	1" BSP	R9120-3210-0000-70	Ø47,50		116	175		65			32	88,50		169 - 276		13		45	13	23	6
40	1 1/4" NPT	R9150-3112-0000-114	1 1/2" NPT - RH		152	215	27	75			40	105,50		191 - 343		21	50				12,30
40	1 1/4" NPT	R9150-3112-0000-115	1 1/2" NPT - LH		152	215	27	75			40	105,50		191 - 343		21	50				12,30
40	1 1/4" NPT	R9150-3112-0000-70	Ø50		152	215		75			40	106,50		191 - 343		21		40	10	16	12,30
40	1 1/4" BSP	R9150-3212-0000-214	1 1/2" BSP - RH		152	215	27	75			40	105,50		191 - 343		21	50				12,30
40	1 1/4" BSP	R9150-3212-0000-215	1 1/2" BSP - LH		152	215	27	75			40	105,50		191 - 343		21	50				12,30

40	1 1/4" BSP	R9150-3212-0000-70	Ø50		152	215		75			40	106,50		191 - 343		21		48	10	16	12,30
50	1 1/2" NPT	R9200-3115-0000-116	2" NPT - RH		162	242	30	75			49	112		116 - 390		21	60				16,80
50	1 1/2" NPT	R9150-3115-0000-117	2" NPT - LH		162	242	30	75			49	112		116 - 390		21	60				16,80
50	1 1/2" NPT	R9150-3115-0000-70	Ø65		162	242		75			49	112		116 - 390		21		63	10	16	16,80
50	1 1/2" BSP	R9150-3215-0000-216	2" BSP - RH		162	242	30	75			49	112		116 - 390		21	60				16,80
50	1 1/2" BSP	R9150-3215-0000-217	2" BSP - LH		162	242	30	75			49	112		116 - 390		21	60				16,80
50	1 1/2" BSP	R9150-3215-0000-70	Ø65		162	242		75			49	112		116 - 390		21		63	10	16	16,80
65	2" NPT	R9250-3125-0000-118	2 1/2" NPT - RH		185	280,50	38	95			60,50	131		216 - 360		27	75				23,40
65	2" NPT	R9150-3125-0000-119	2 1/2" NPT - LH		185	280,50	38	95			60,50	131		216 - 360		27	75				23,40
65	2" NPT	R9150-3125-0000-70	Ø76		185	280,50		95			60,50	131		216 - 360		27		72	16	28	23,40
65	2" BSP	R9150-3225-0000-218	2 1/2" BSP - RH		185	280,50	38	95			60,50	131		216 - 360		27	75				23,40
65	2" BSP	R9150-3225-0000-219	2 1/2" BSP - LH		185	280,50	38	95			60,50	131		216 - 360		27	75				23,40
65	2" BSP	R9150-3225-0000-70	Ø76		185	280,50		95			60,50	131		216 - 360		27		72	16	28	23,40
80	2 1/2" NPT	R9300-3155-0000-120	3" NPT - RH		200	318,50	32	99			73	160		230 - 495		33	85				36,05
80	2 1/2" NPT	R9300-3155-0000-121	3" NPT - LH		200	318,50	32	99			73	160		230 - 495		33	85				36,05
80	2 1/2" NPT	R9300-3155-0000-70	Ø87,30		200	318,50		99			73	160		230 - 495		33		84	22	31	36,05
80	2 1/2" BSP	R9300-3255-0000-220	3" BSP - RH		200	318,50	32	99			73	160		230 - 495		33	85				36,05
80	2 1/2" BSP	R9300-3255-0000-221	3" BSP - LH		200	318,50	32	99			73	160		230 - 495		33	85				36,05
80	2 1/2" BSP	R9300-3255-0000-70	Ø87,30		200	318,50		99			73	160		230 - 495		33		84	22	31	36,05
100	3" NPT	R9400-3130-0000-124	4" NPT - RH		257	424	40	161			98	231		235 - 375		41	115				56
100	3" NPT	R9400-3130-0000-125	4" NPT - LH		257	424	40	161			98	231		236 - 375		41	115				56
100	3" NPT	R9400-3130-0000-70	Ø114		257	424		161			98	231		237 - 375		41		110	12	22	54,80

100	3" BSP	R9400-3230-0000-224	4" BSP - RH		257	424	40	161			98	231		238 - 375		41	115			56	
100	3" BSP	R9400-3230-0000-225	4" BSP - LH		257	424	40	161			98	231		239 - 375		41	115			56	
100	3" BSP	R9400-3230-0000-70	Ø114		257	424		161			98	231		240 - 375		41		110	12	22	54,80
125	4" NPT	R9500-3140-0000-126	5" NPT - RH		330	452	40	150			122	235,50		400 - 457		54	145				99,60
125	4" NPT	R9500-3140-0000-127	5" NPT - LH		330	452	40	150			122	235,50		400 - 457		54	145				99,60
125	4" NPT	R9500-3140-0000-170	Ø150		330	452		150			122	235,50		400 - 457		54		145	35	39	100,30
125	4" BSP	R9500-3240-0000-226	5" BSP - RH		330	452	40	150			122	235,50		400 - 457		54	145				99,60
125	4" BSP	R9500-3240-0000-227	5" BSP - LH		330	452	40	150			122	235,50		400 - 457		54	145				99,60
125	4" BSP	R9500-3240-0000-70	Ø150		330	452		150			122	235,50		400 - 457		54		145	35	39	100,30